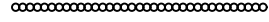


**COUNTY OF SAN MATEO DEPARTMENT
OF**

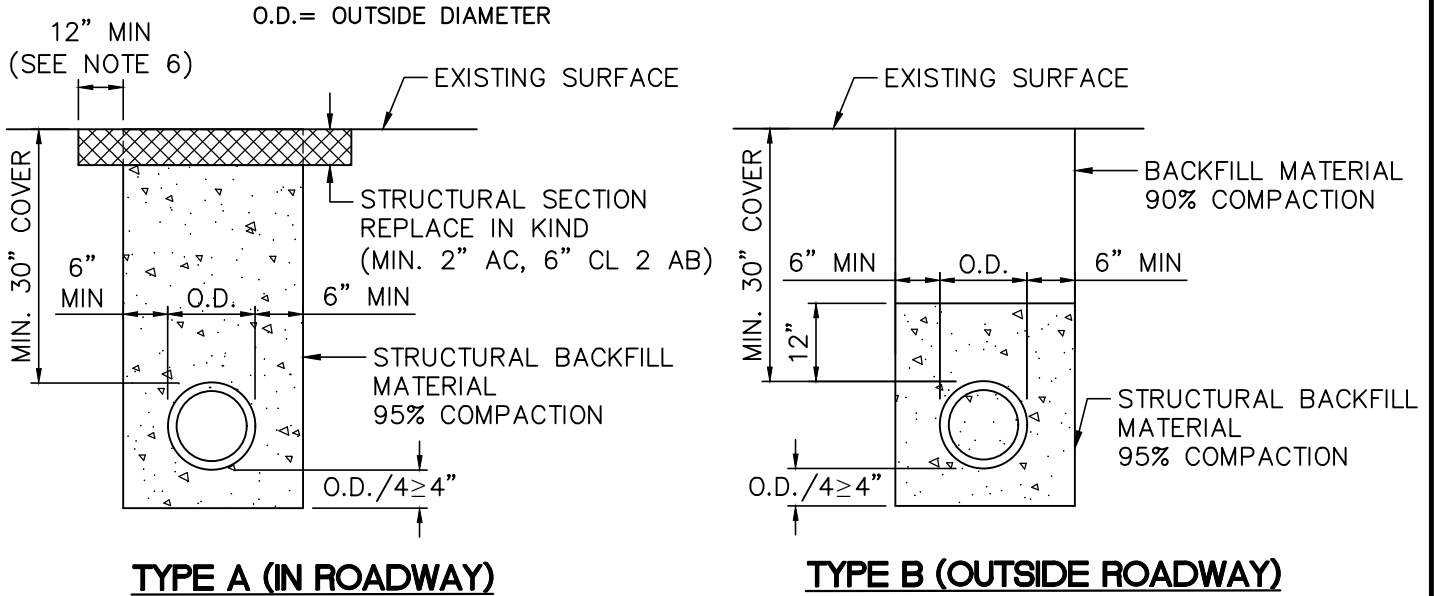
PUBLIC WORKS



REDWOOD CITY
CALIFORNIA

DRAWN BY: A.Z.
CHECKED BY: K.L.
APPROVED BY: A.M.S.

SCALE: NONE
DATE: 2-2022
REVISED: 2-2022



TYPE A (IN ROADWAY)

TYPE B (OUTSIDE ROADWAY)

NOTES:

1. THERE SHALL BE A MINIMUM OF TWO AND ONE-HALF FEET (30 INCHES) OF COVER OVER ALL PIPES AND CONDUITS UNLESS OTHERWISE APPROVED BY COUNTY ROAD INSPECTOR.
2. STRUCTURE BACKFILL MATERIAL – MATERIAL WITH SAND EQUIVALENT NOT LESS THAN 20 AND SIEVE GRADATION BY WEIGHT AS FOLLOWS:

SIEVE SIZE	% PASSING SIEVES
3"	100
NO.4	35-100
NO.30	20-100
3. BACKFILL MATERIAL – MATERIAL FROM EXCAVATION, FREE FROM STONES OR LUMPS EXCEEDING 3 INCHES IN GREATEST DIMENSION, VEGETABLE MATTER, OR OTHER UNSATISFACTORY MATERIAL.
4. IN AREAS OF CEMENT TREATED BASES, THE REPLACEMENT MATERIAL SHALL CONSIST OF A MINIMUM OF 3" OF ASPHALT CONCRETE (TYPE B) OVER A MINIMUM OF 8" OF PORTLAND CEMENT CONCRETE (CLASS 3).
5. FOR TRENCH BACKFILL REQUIREMENTS FOR SANITARY SEWER PIPE, SEE STANDARD DRAWINGS C6 AND C7.
6. ON TRENCHES THAT PARALLEL THE ROAD AND ARE WITHIN EXISTING BICYCLE LANES, THE WIDTH OF THE STRUCTURAL SECTION SHALL BE GREATER THAN OR EQUAL TO THE WIDTH OF THE EXISTING BICYCLE LANE.
7. FOR TRENCHES GREATER THAN 100 FEET IN TOTAL LENGTH, A FULL WIDTH SLURRY SEAL WILL BE REQUIRED.

**STANDARD TRENCH BACKFILL AND BEDDING
DETAIL FOR STORM DRAIN PIPES**