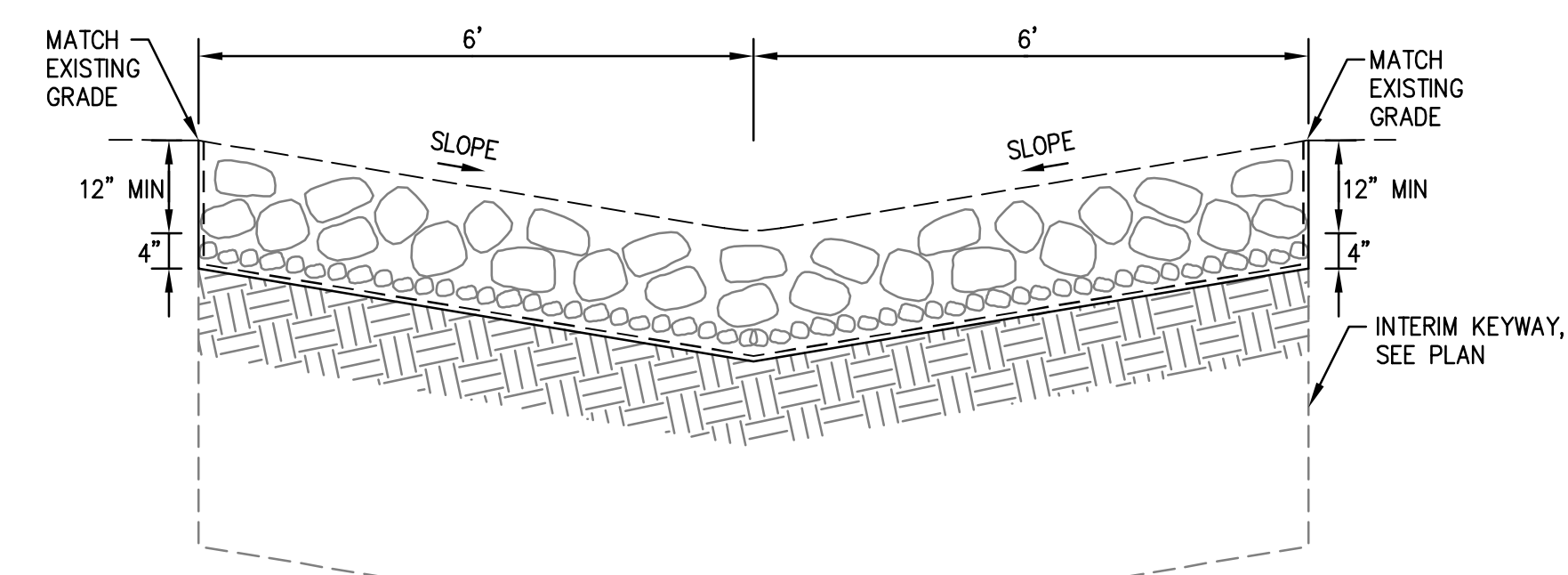


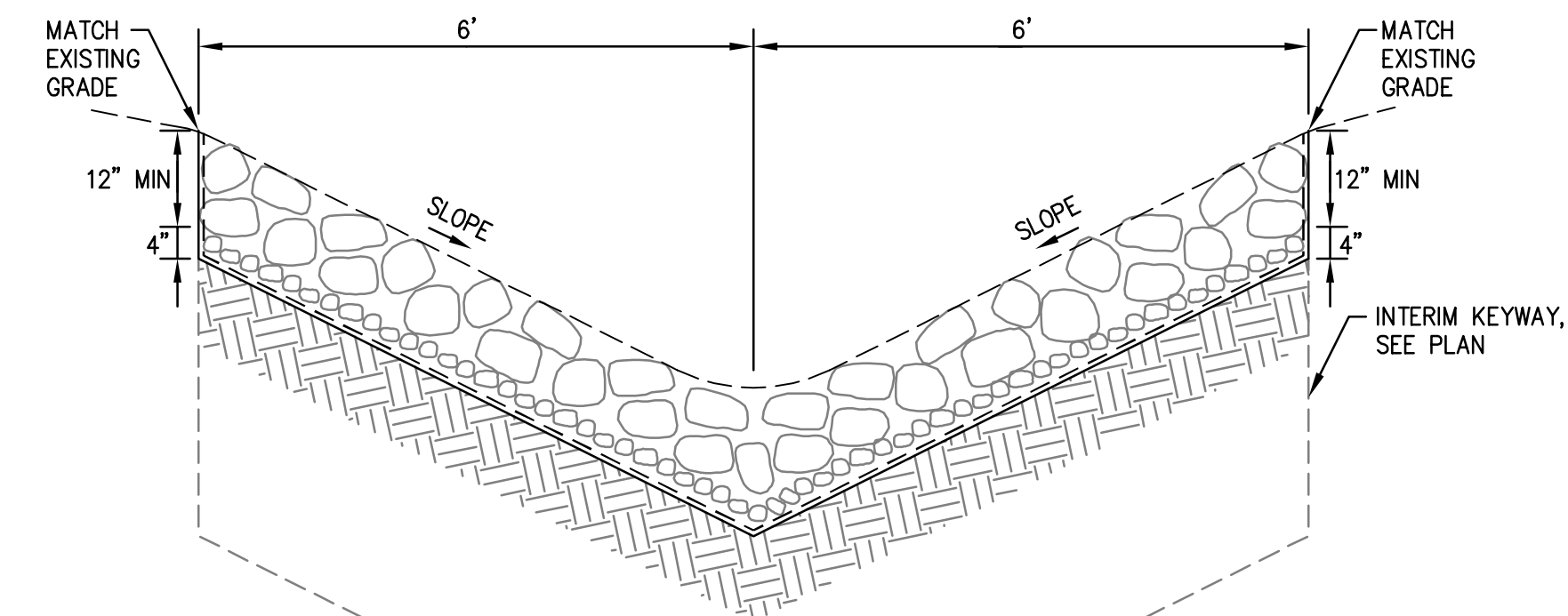
No.	Revisions
AS-BUILT	5/17/2022
Date	10/8/2018
Scale	AS SHOWN
Design	RH
Drawn	NH
Approved	RH/JT
Job No.	90168-20

CRYSTAL SPRINGS COUNTY SANITATION DISTRICT NOTES:

1. THE PROPERTY/EASEMENT LINE CLEANOUT MUST BE PLACED IN A LOCATION THAT PROVIDES EASY ACCESS FOR MAINTENANCE EQUIPMENT AND IS OUTSIDE OF ANY ENCLOSURES. A MINIMUM OF 6' IS REQUIRED BETWEEN THE PROPERTY LINE CLEANOUT AND STRUCTURE.
2. THE PLANS INDICATE THAT THE LOWEST FINISHED FLOOR ELEVATION OF THE PROPOSED MAIN RESIDENCE WILL BE LESS THAN ONE (1) FOOT HIGHER THAN THE RIM ELEVATION OF THE NEAREST UPSTREAM SANITARY SEWER MANHOLE. A BACKFLOW PREVENTION OR OVERFLOW DEVICE MUST BE INSTALLED IMMEDIATELY UPSTREAM OF THE REQUIRED CLEANOUT NEAR THE PROPERTY LINE TO PREVENT BACKFLOW OF SEWAGE INTO THE BUILDING/PROPERTY.
3. SANITARY SEWER CONNECTION AND TESTING MUST BE MADE IN THE PRESENCE OF A SEWER DISTRICT REPRESENTATIVE. THIS NOTE SHALL BE ADDED TO THE PLANS.
4. THE SEWER DISTRICT OFFICE SHALL BE CONTACTED (650-363-4100) TO SCHEDULE INSPECTIONS. INSPECTIONS MUST BE SCHEDULED A MINIMUM OF ONE WORKING DAY PRIOR TO THE INSPECTION. NO INSPECTIONS SHALL OCCUR ON FRIDAYS, WEEKENDS OR HOLIDAYS UNLESS SPECIAL ARRANGEMENTS ARE MADE WITH THE SEWER DISTRICT.
5. A VIDEO INSPECTION OF THE SEWER MAIN (MANHOLE TO MANHOLE) WHERE THE NEW LATERAL CONNECTS TO THE SEWER DISTRICT MAIN SHALL BE PERFORMED BY THE APPLICANT OR CONTRACTOR AND SUBMITTED TO THE SEWER DISTRICT FOR REVIEW AFTER LATERAL CONNECTION HAS BEEN MADE. THE VIDEO INSPECTION SHALL BE PERFORMED IN ACCORDANCE WITH THE REQUIREMENTS DESCRIBED IN THE SPECIAL PROVISIONS FOR CLOSED CIRCUIT TELEVISION INSPECTION OF SANITARY SEWER MAINS (A COPY CAN BE OBTAINED FROM OUR WEBSITE AT [HTTP://PUBLICWORKS.SMCGOV.ORG/SEWER-SERVICES](http://publicworks.smcgov.org/sewer-services)). THE SEWER DISTRICT WILL REVIEW THE VIDEO INSPECTION TO DETERMINE WHETHER THE WORK PERFORMED IS ACCEPTABLE. ALL UNACCEPTABLE WORK SHALL BE CORRECTED TO THE SEWER DISTRICT'S SATISFACTION AT THE APPLICANT'S EXPENSE.
6. CARE MUST BE TAKEN TO PROTECT THE EXISTING SEWER DISTRICT FACILITIES WHEN A NEW SEWER LATERAL AND CONNECTION IS INSTALLED. ANY DAMAGES TO THE SEWER DISTRICT FACILITIES DURING THE INSTALLATION OF THE NEW LATERAL SHALL BE REPAIRED BY THE APPLICANT PER THE SEWER DISTRICT STANDARD DETAILS AND AT THE APPLICANT'S EXPENSE. THE SEWER DISTRICT MUST BE NOTIFIED OF ANY DAMAGES TO THE SANITARY SEWER FACILITIES AND ANY REPAIRS MUST BE INSPECTED BY A SEWER DISTRICT REPRESENTATIVE.
7. LATERAL CONNECTION TO THE EXISTING MANHOLE SHALL BE MADE BY CORE DRILLING A HOLE IN THE MANHOLE WALL APPROPRIATELY SIZED FOR THE SEWER LATERAL PIPE. THE ANNULAR SPACE BETWEEN THE WALL AND PIPE SHALL BE PLUGGED WITH MORTAR CEMENT. AFTER THE ANNULAR SPACE HAS BEEN PLUGGED, THE INTERIOR OF THE ENTIRE MANHOLE SHALL BE COATED WITH AN APPROVED WATERPROOFING MATERIAL APPLIED PER THE MANUFACTURER'S RECOMMENDATIONS.
8. THE CONTRACTOR MUST REMOVE AND DISPOSE OF ALL CONSTRUCTION DEBRIS IN THE MANHOLE AFTER THE LATERAL CONNECTION HAS BEEN MADE. CARE MUST BE TAKEN TO PREVENT CONSTRUCTION DEBRIS FROM ENTERING THE SEWER SYSTEM DURING THE INSTALLATION OF THE NEW SEWER LATERAL CONNECTION. IF THE SEWER DISTRICT DISCOVERS THAT CONSTRUCTION DEBRIS HAS ENTERED THE SEWER SYSTEM, THE APPLICANT WILL BE RESPONSIBLE TO CLEAN AND TELEVIEW THE DOWNSTREAM PORTIONS OF THE SEWER MAINS AS DETERMINED BY THE SEWER DISTRICT TO THE SEWER DISTRICT'S SATISFACTION. SANITARY SEWER SERVICE SHALL BE MAINTAINED AT ALL TIMES. THE CONTRACTOR SHALL USE WHATEVER MEANS NECESSARY (E.G. PUMPS, ETC.) TO MAINTAIN THIS SERVICE DURING CONSTRUCTION.



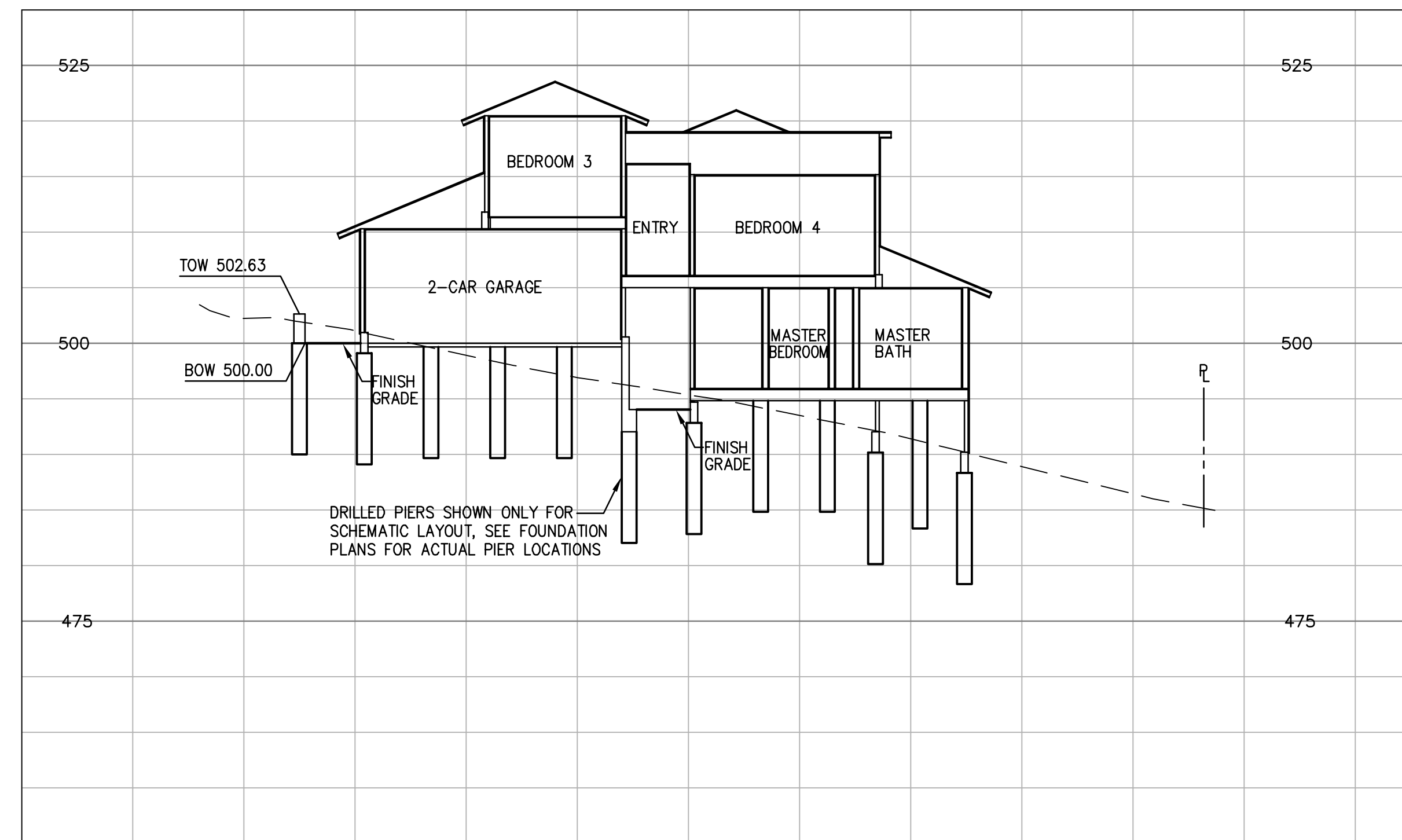
OUTLET STRUCTURE CROSS SECTION B-B
 NTS



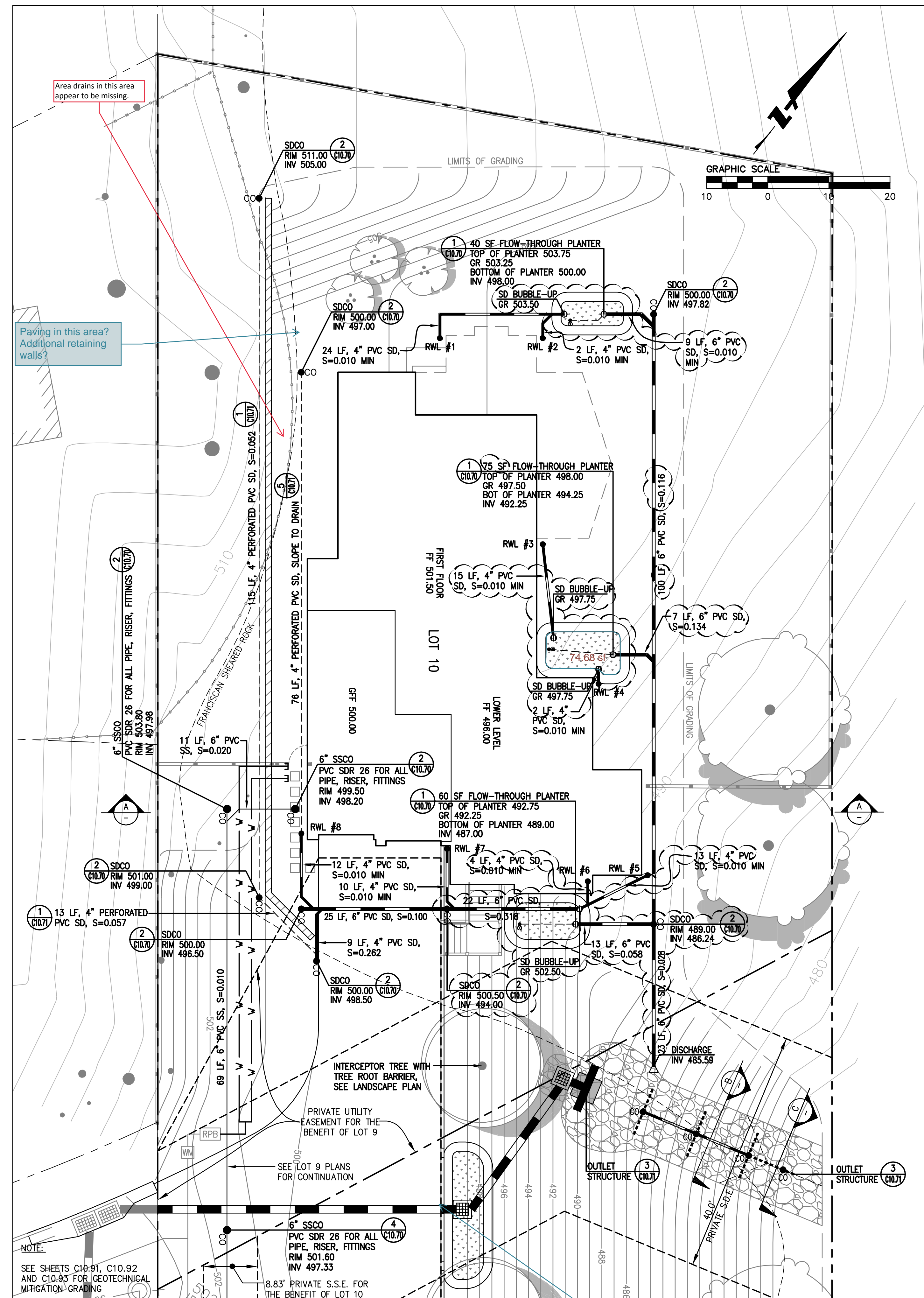
OUTLET STRUCTURE CROSS SECTION C-C
 NTS

NOTES:

1. PER THE GEOTECHNICAL REPORT, UNDOCUMENTED FILL WAS MAPPED AT LOT 10 AND IF THIS FILL IS TO BE LEFT IN PLACE DURING HOUSE AND DRIVEWAY GRADING, IT SHOULD BE REMOVED AND REPLACED AS PROPERLY COMPACTED ENGINEERED FILL.
2. PER THE GEOTECHNICAL REPORT, ALL EXISTING FILLS SHOULD BE COMPLETELY REMOVED FROM WITHIN PROPOSED HOUSE FOOTPRINT AND DRIVEWAY AREAS AND TO A LATERAL DISTANCE OF AT LEAST 5 FEET BEYOND THE EDGE OF THE IMPROVEMENTS OR AS RECOMMENDED BY THE GEOTECHNICAL ENGINEER. ANY EXCESS MATERIAL SHALL BE DISPOSED OF OFF-SITE IN A LAWFUL MANNER.
3. PER THE GEOTECHNICAL REPORT, GEOTECHNICAL MITIGATION GRADING WILL BE PERFORMED ON LOT 10, SEE SHEETS C10.91 AND C10.92 FOR GRADING DETAILS OF THE MITIGATION.
4. PER THE GEOTECHNICAL REPORT, ALL BUILDING AND RETAINING WALLS SHOULD BE SUPPORTED ON DRILLED PIERS. THE FOUNDATION SHOWN ON THIS PLAN ARE SCHEMATIC. REFER TO THE PROJECT STRUCTURAL PLANS FOR DETAILS ON THE DRILLED PIERS.



LOT 10 CROSS SECTION A-A
 SCALE: 1"=10'



LOT 10 UTILITY PLAN
 SCALE: 1"=10'

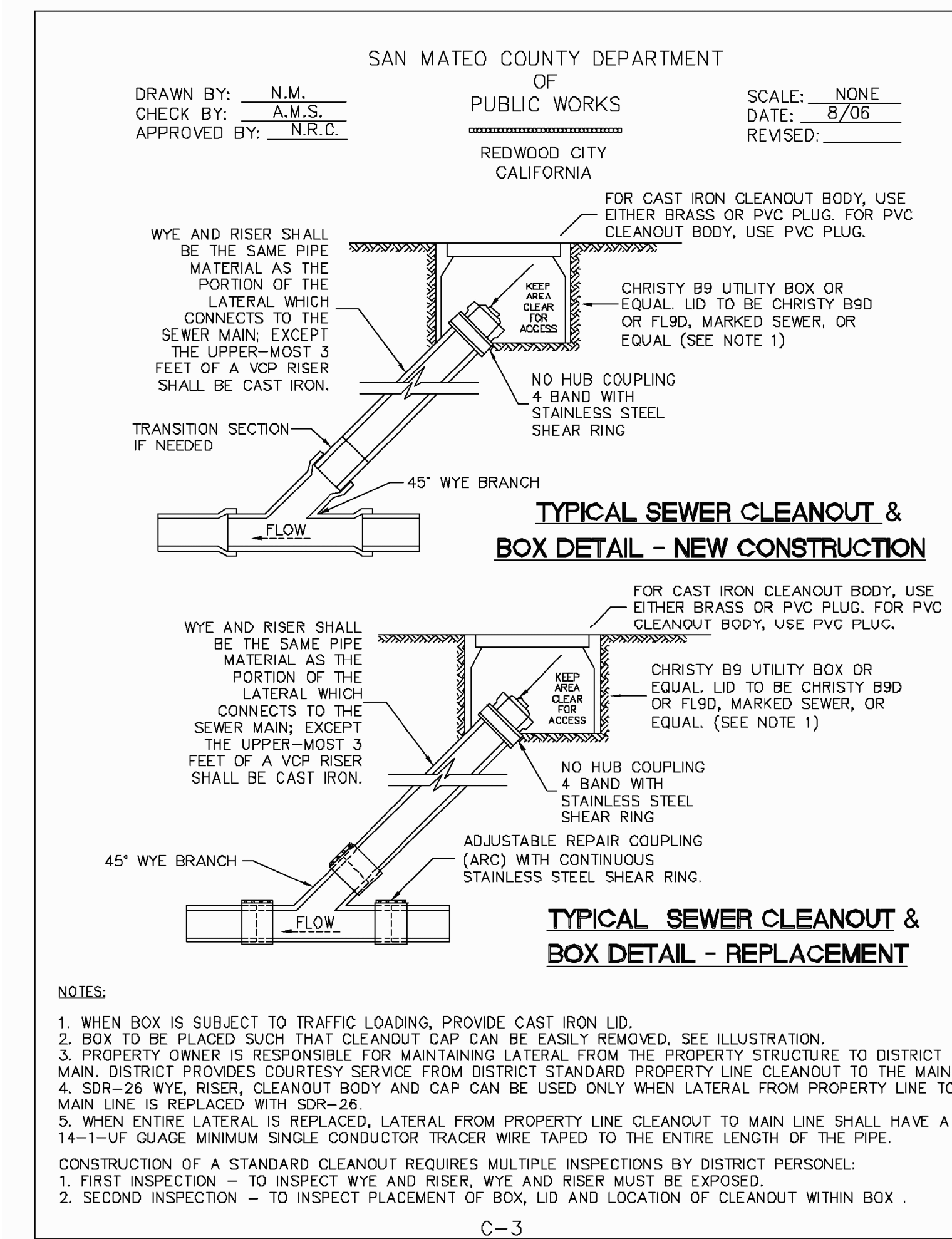
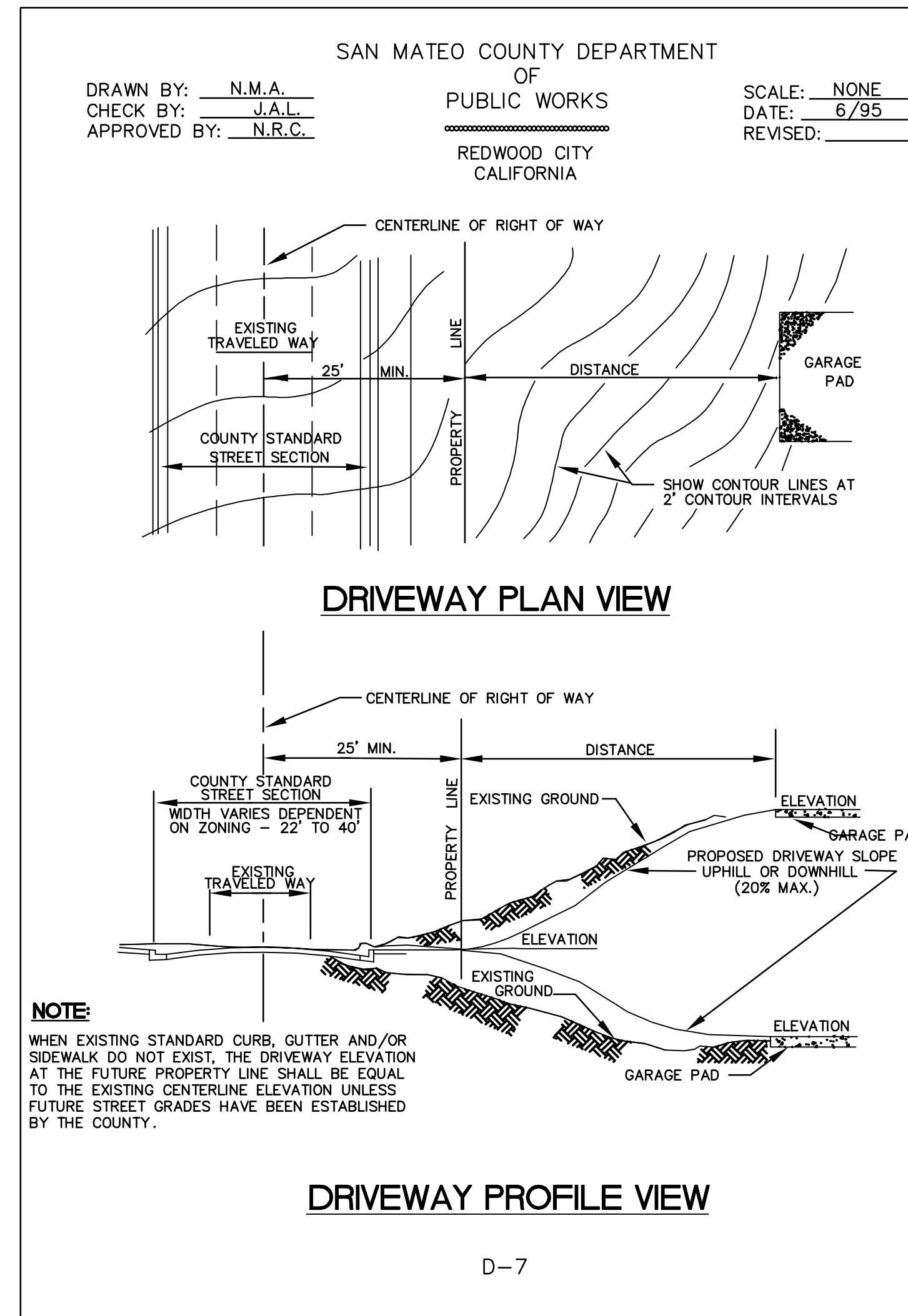
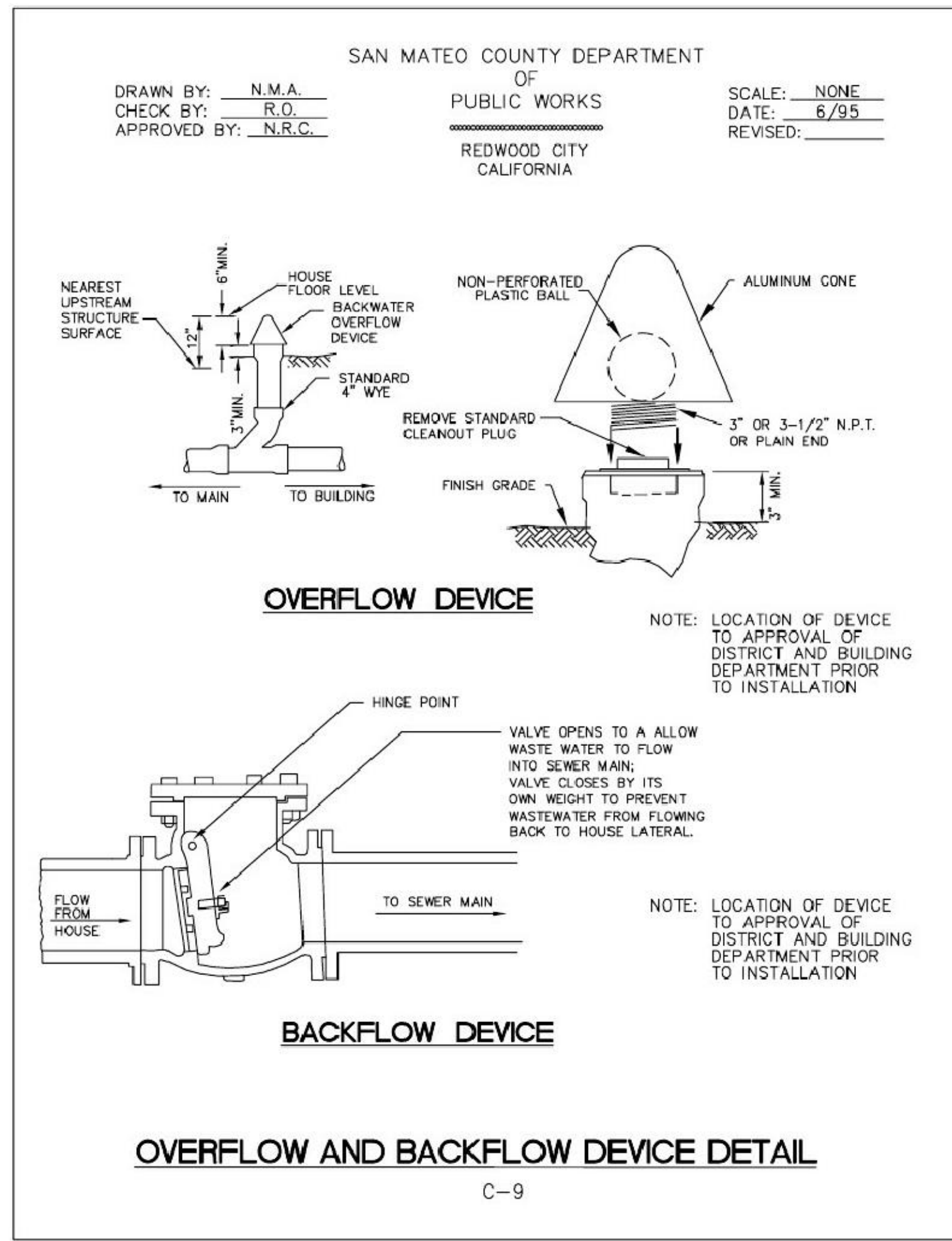
This curb cut directs water directly to overflow. Add extra lip to overbasin on this side? Or?

Area drains in this area appear to be missing.

Paving in this area? Additional retaining walls?

NOTE:
 SEE SHEETS C10.91, C10.92 AND C10.93 FOR GEOTECHNICAL MITIGATION GRADING

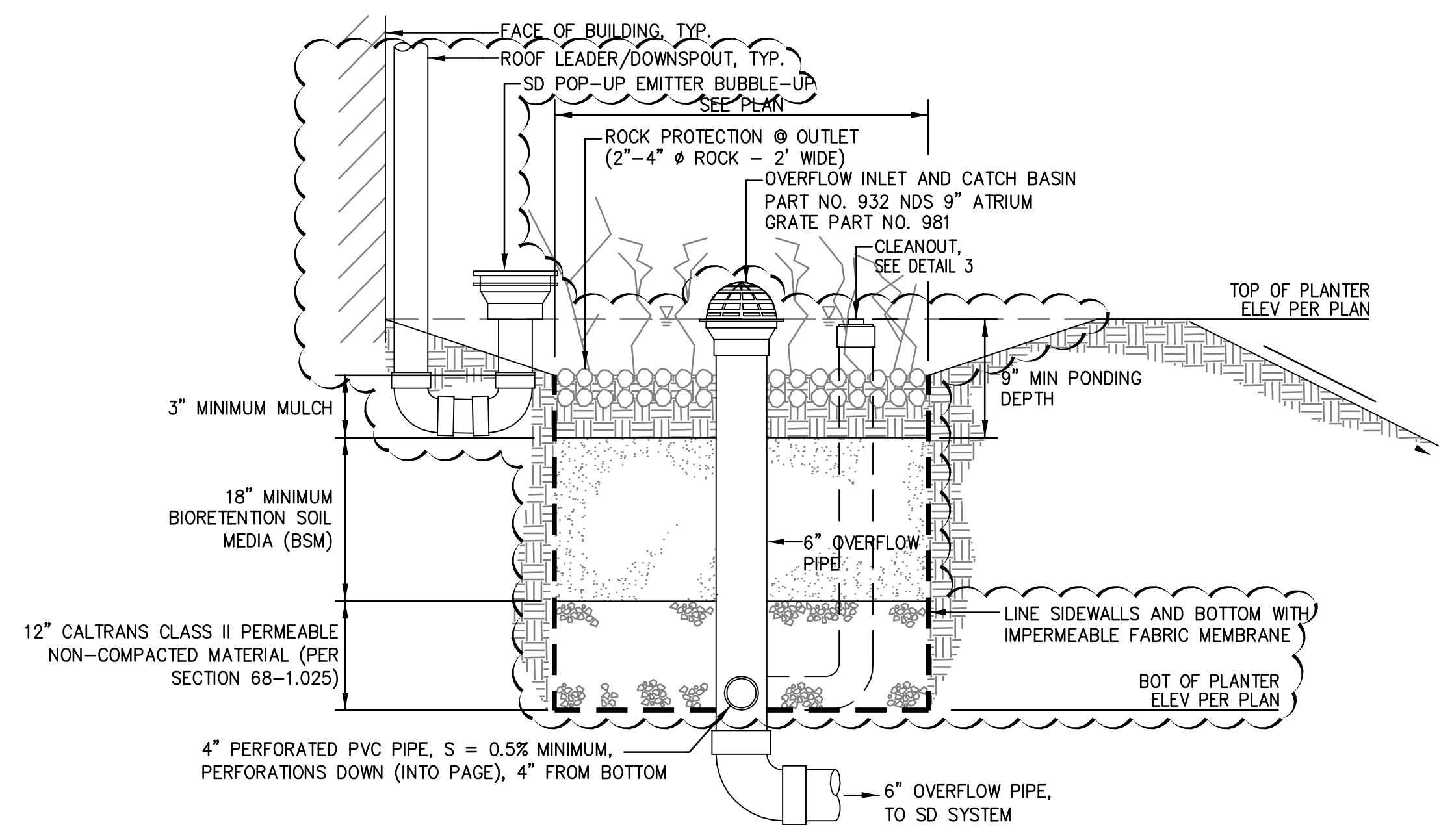
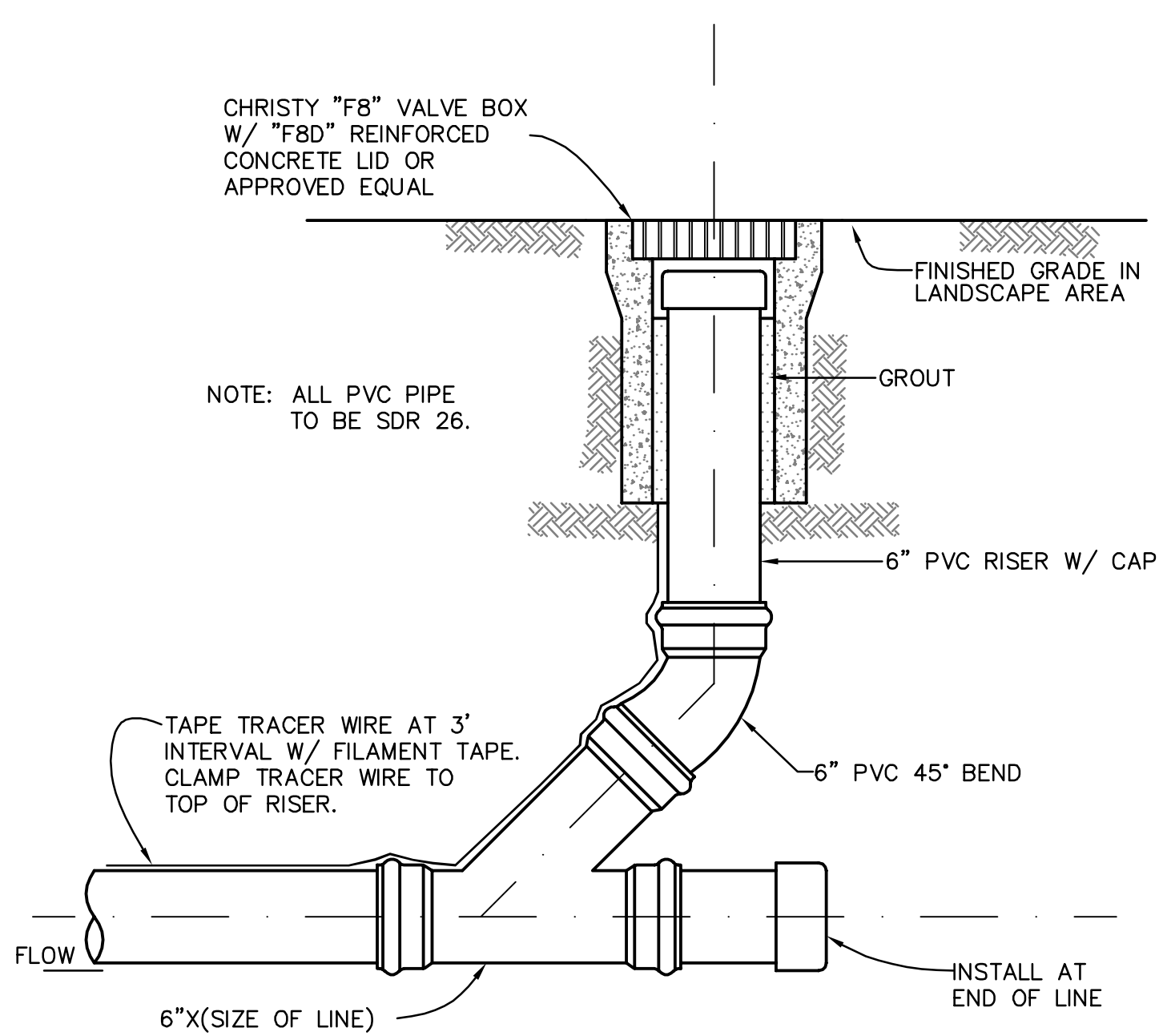
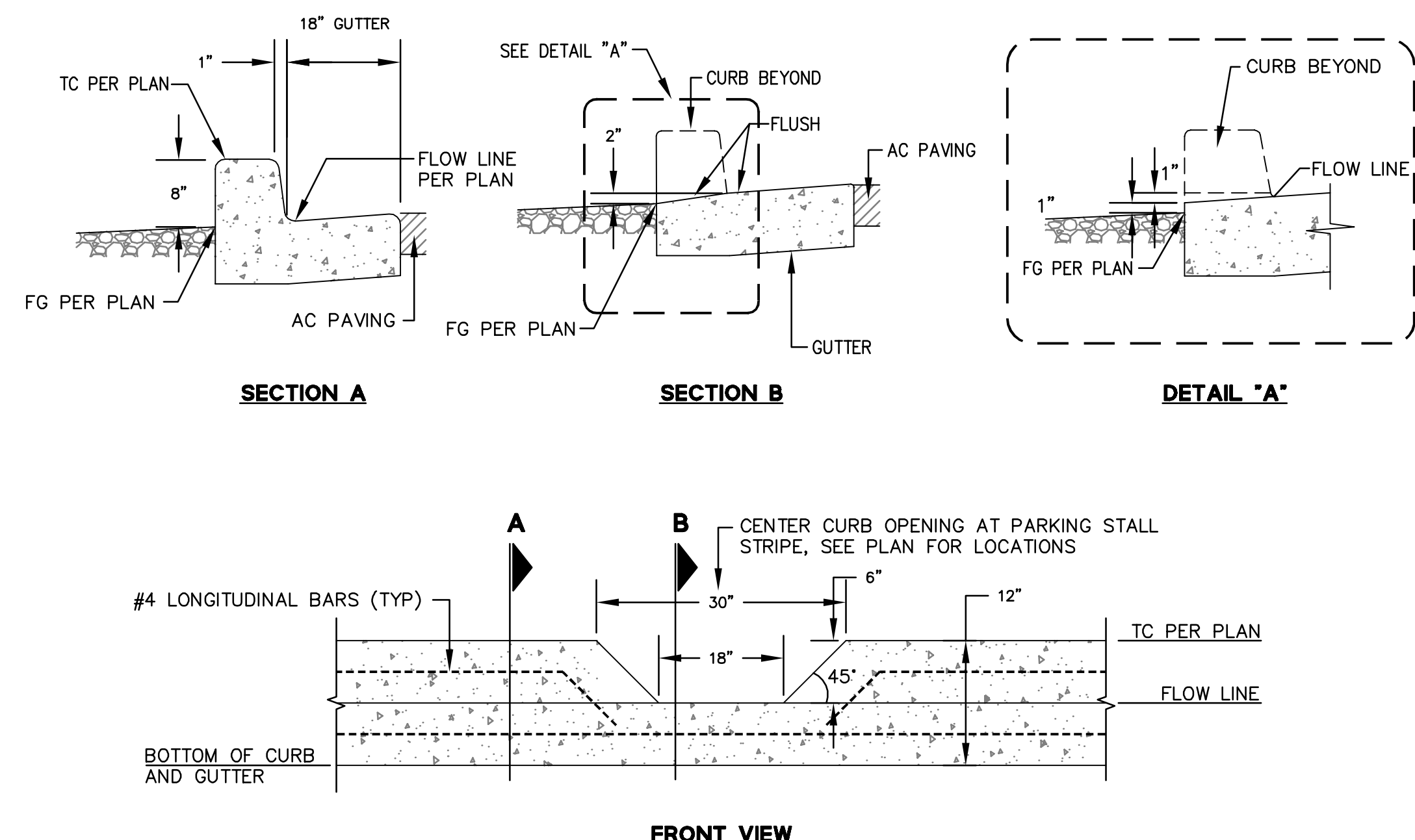
DRAWING NAME: K:\E9095\950168\dwg\CD\Lot_10\C10_40-HECDSP.dwg
 PLOT DATE: 05-17-22
 PLOTTED BY: rpi1



6 SAN MATEO COUNTY OVERFLOW AND BACKFLOW DEVICE DETAIL
NTS

5 SAN MATEO COUNTY DRIVEWAY PLAN AND PROFILE VIEWS
NTS

4 SAN MATEO COUNTY TYPICAL SEWER CLEANOUT & BOX DETAIL
NTS



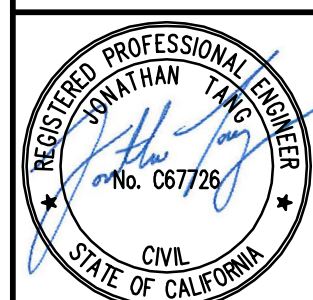
3 SAN MATEO COUNTY CURB CUT
NTS

2 SAN MATEO COUNTY CLEANOUT
NTS

1 SAN MATEO COUNTY FLOW-THROUGH PLANTER (FTP)
NTS

DRAWING NAME: K:\E\950168\dwg\C10\et_10\C10_70-HECDDT.dwg PLOT DATE: 05-17-22 PLOTTED BY: hoi.1

255 SHORELINE DRIVE, SUITE 200 REDWOOD CITY, CA 94065 PHONE: (650) 482-6300 FAX: (650) 482-6399



CALIFORNIA

HIGHLAND ESTATES LOT 10 IMPROVEMENT PLANS CONSTRUCTION DETAILS CITY OF SAN MATEO SAN MATEO COUNTY

No.	Revisions
AS-BUILT	5/17/2022

Date	10/8/2018
Scale	AS SHOWN
Drawn	JT
Checked	LF
Approved	RH/JT
Job No	950168-20

Sheet Number: **C10.70**